



ML2520HP SERIES - High Current Chip Inductors

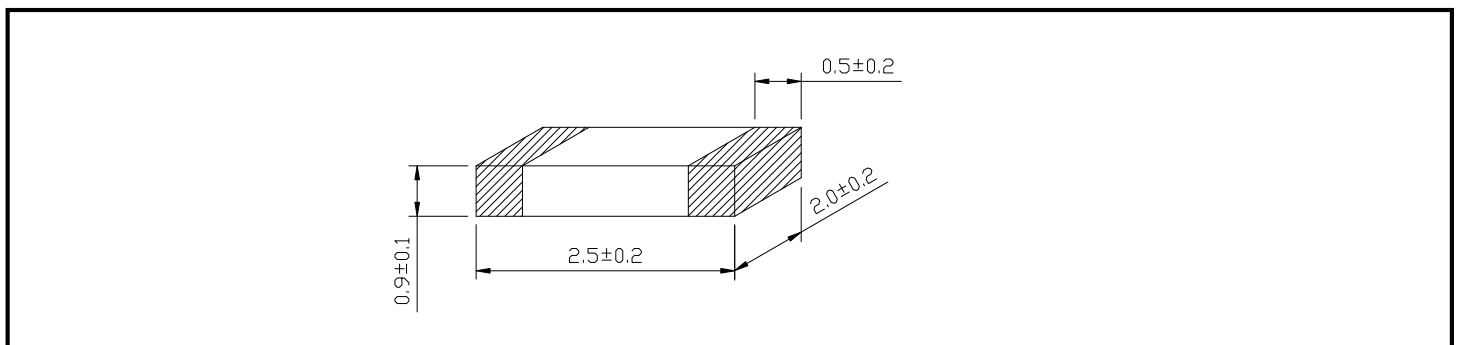


PART NUMBERING SYSTEM

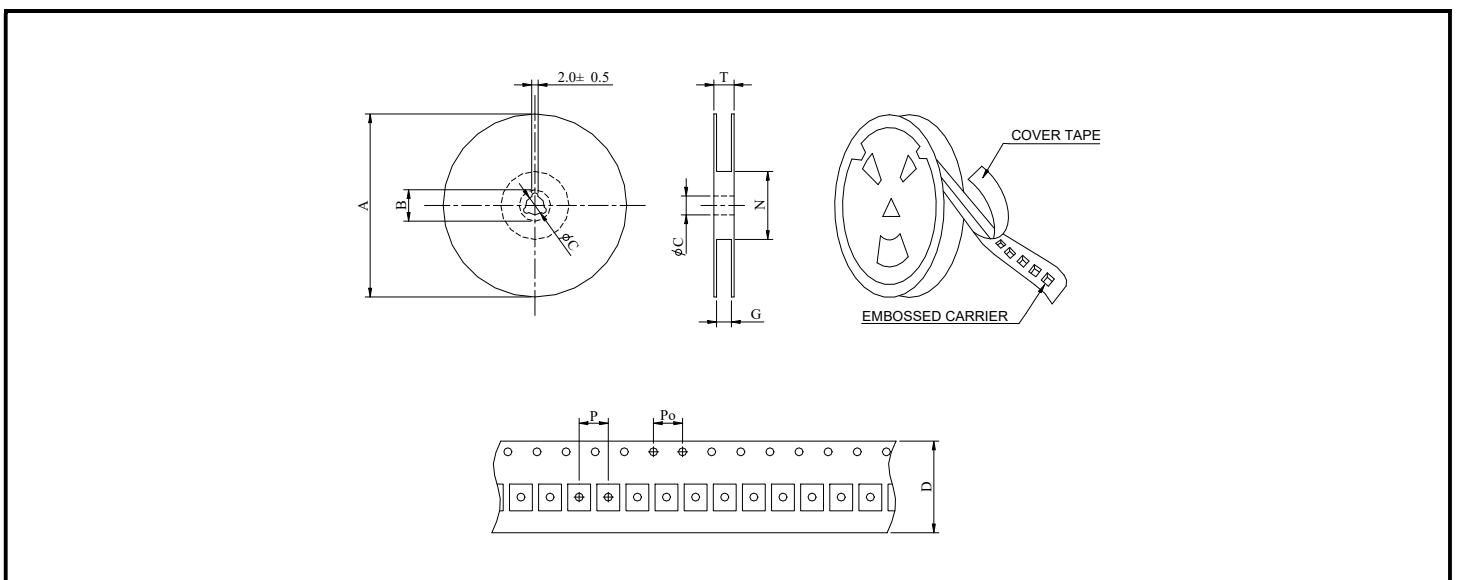
ML	2520HP	—	100M	—	LF
TYPE	DIMENSIONS		INDUCTANCE		LEAD FREE

SHAPES AND DIMENSIONS

UNIT : mm



PACKAGING SPECIFICATION



SERIES	STAYLE	Q'TY (PCS)	DIMENSIONS (m/m)								
			A	B±0.8	C±0.5	D	G ⁺⁰	N ⁰	P	Po	T
ML2520HP	178	3,000	178	21	13	8	18	50	4	4	22.4



ML2520HP SERIES – High Current Chip Inductors



SPECIFICATION TABLE

PART NUMBER	INDUCTANCE (μ H)	SRF (MHz) MIN.	DCR (Ω)	Rated Current (mA)	TEST FREQ. (MHz)
ML2520HP-R24M-8A-LF	0.24 \pm 20%		0.018m Ω Max.	8000	2MHz/200mV
ML2520HP-R33M-6.5A-LF	0.33 \pm 20%		0.024m Ω Max.	6500	2MHz/200mV
ML2520HP-R47M-LF	0.47 \pm 20%	100	0.07 \pm 25%	1800	1MHz/250mV
ML2520HP-R47M-5.7A-LF	0.47 \pm 20%		0.0265m Ω Max.	5700	2MHz/200mV
ML2520HP-R68M-LF	0.68 \pm 20%	90	0.09 \pm 25%	1700	1MHz/250mV
ML2520HP-R82M-LF	0.82 \pm 20%	80	0.10 \pm 25%	1700	1MHz/250mV
ML2520HP-1R0M-LF	1.0 \pm 20%	60	0.11 \pm 25%	1600	1MHz/250mV
ML2520HP-1R0M-3.7A-LF	1.0 \pm 20%		0.053m Ω Max.	3700	2MHz/200mV
ML2520HP-1R0M-4.7A-LF	1.0 \pm 20%		0.046m Ω Max.	4700	2MHz/200mV
ML2520HP-1R2M-LF	1.2 \pm 20%	60	0.11 \pm 25%	1600	1MHz/250mV
ML2520HP-1R5M-LF	1.5 \pm 20%	50	0.13 \pm 25%	1500	1MHz/250mV
ML2520HP-1R5M-3.1A-LF	1.5 \pm 20%		0.075m Ω Max.	3100	2MHz/200mV
ML2520HP-1R8M-LF	1.8 \pm 20%	50	0.13 \pm 25%	1500	1MHz/250mV
ML2520HP-2R2M-LF	2.2 \pm 20%	40	0.17 \pm 25%	1300	1MHz/250mV
ML2520HP-2R2M-3A-LF	2.2 \pm 20%		0.083m Ω Max.	3000	2MHz/200mV
ML2520HP-3R3M-LF	3.3 \pm 20%	30	0.16 \pm 25%	1200	1MHz/250mV
ML2520HP-4R7M-LF	4.7 \pm 20%	25	0.20 \pm 25%	1100	1MHz/250mV
ML2520HP-6R8M-LF	6.8 \pm 20%	25	0.26 Max.	1200	1MHz/250mV
ML2520HP-100M-LF	10.0 \pm 20%	15	0.39 Max.	800	1MHz/250mV

FEATURES

1. **Magnetic shielding** allows high-density mounting
2. **Ultra-small shielded power inductor** – only 1 mm high, 2.5 \times 2 mm footprint
3. Handles **current up to 1.6 Amps**
4. Excellent mounting strength by SMD chip making
5. **RoHS-compliant**. 260°C compatible.